

Wirewound rotary potentiometers

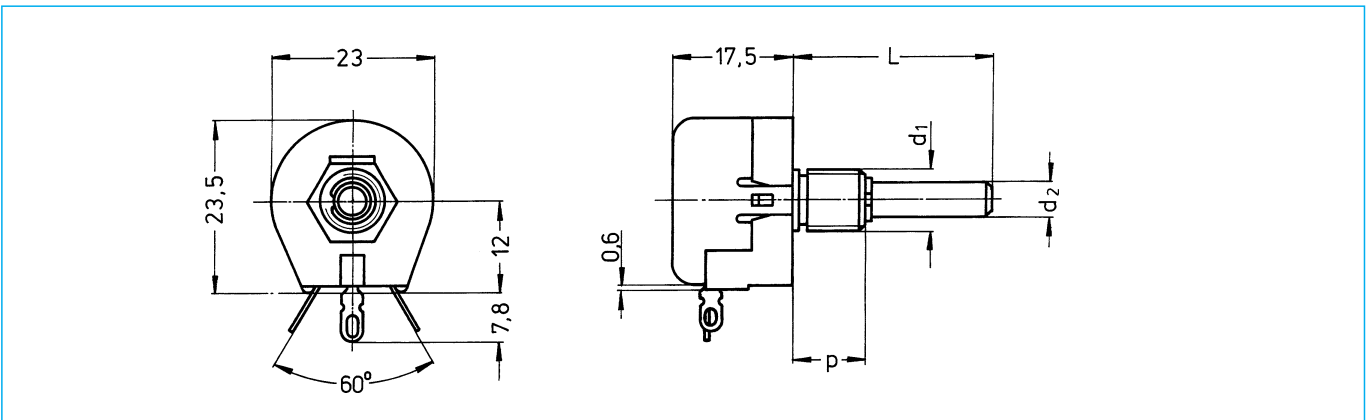
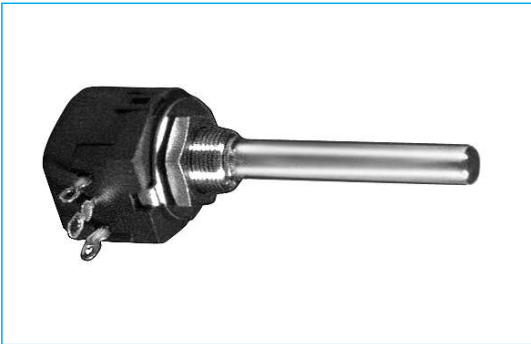


Series ABW 1

Ordering code no.: 31 096 0...

Type ABW 1

Basic design: encased, nominal width 23 mm, solder tag terminals



Technical data

Rated resistance range: 5 Ω - 22 k Ω
 Resistance tolerance: $\pm 10\%$ (< 10 Ω $\pm 20\%$)
 on request $\pm 5\%$
 Law (resistance taper): lin (lg on request)
 Independent linearity: $\pm 2\%$ (on request $\pm 1\%$)
 Rated dissipation: 1 W / 40°C
 Limiting element voltage: 300 V
 Isolation voltage: 1 kV ~
 Temperature range: - 40°C to + 90°C
 Temperature coefficient: see table page 81
 Insulation resistance: 1 G Ω
 Electrical travel: 265° \pm 5°
 Mechanical travel: 285° \pm 5°
 on request 270° \pm 5°
 Operating torque: 0,8 - 3 Ncm
 End stop torque: 100 Ncm
 Durability: 10 000 cycles

Spindles
 Metal or plastic moulded
 (see table)

l (mm)	p (mm)	d ₂ (mm)	d ₁
standard 50	10, on request 5	6	M10 x 0,75

Technical details subject to change

Wirewound rotary potentiometers

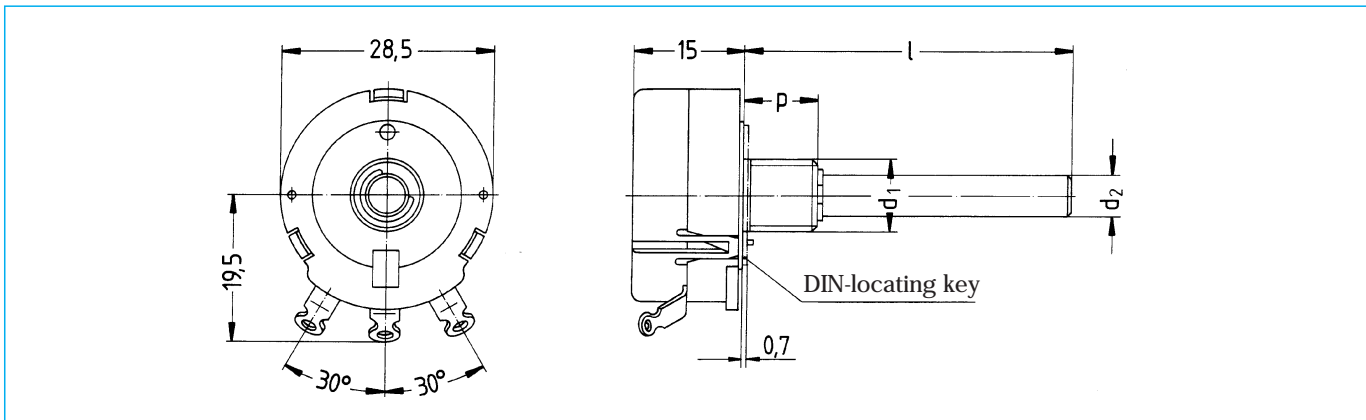
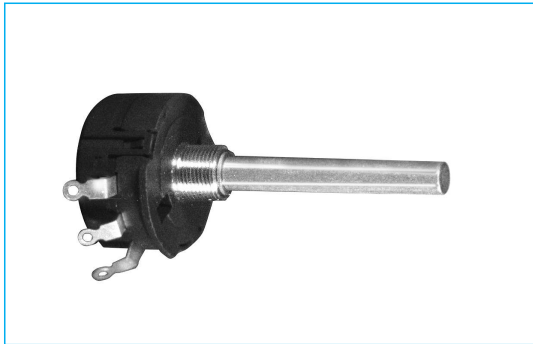


Series ABW 2

Ordering code no.: 31 143 0...

Type ABW 2 / N

Basic design: encased, nominal width 28,5 mm, solder tag terminals



Technical data

Rated resistance range:
Resistance tolerance:

5 Ω - 22 k Ω
 $\pm 10\%$ ($< 10\ \Omega \pm 20\%$)
 on request $\pm 5\%$, $\pm 2\%$
 lin (lg on request)
 $\pm 2\%$ (on request $\pm 1\%$)

Spindle
Metal

Law (resistance taper):
 Independent linearity:
 Rated dissipation:
 Limiting element voltage:
 Isolation voltage:
 Temperature range:
 Temperature coefficient:
 Insulation resistance:
 Electrical travel:
 Mechanical travel:
 Operating torque:
 End stop torque:
 Durability:

2 W / 40°C
 300 V
 1 kV ~
 - 40°C to + 90°C
 see table
 1 G Ω
 270° \pm 5°
 300° \pm 5°
 0,7 - 2,5 Ncm
 100 Ncm
 10 000 cycles

l (mm)	p (mm)	d ₂ (mm)	d ₁
standard 50	8	6	M10 x 0,75

Temperature coefficient and resolution

R _N	10 Ω	22 Ω	47 Ω	100 Ω	220 Ω	470 Ω	1 k Ω	2,2 k Ω	4,7 k Ω	10 k Ω	22 k Ω
TC-value ppm / °C	+ 400	+ 400	+ 400	+ 400	+ 40 - 80	+ 40 - 80	+ 40 - 80	+ 40 - 80	+ 40 - 80	+ 140	+ 140
Resolution %	1	0,68	0,59	0,41	0,35	0,29	0,3	0,2	0,12	0,17	0,12

Technical details subject to change